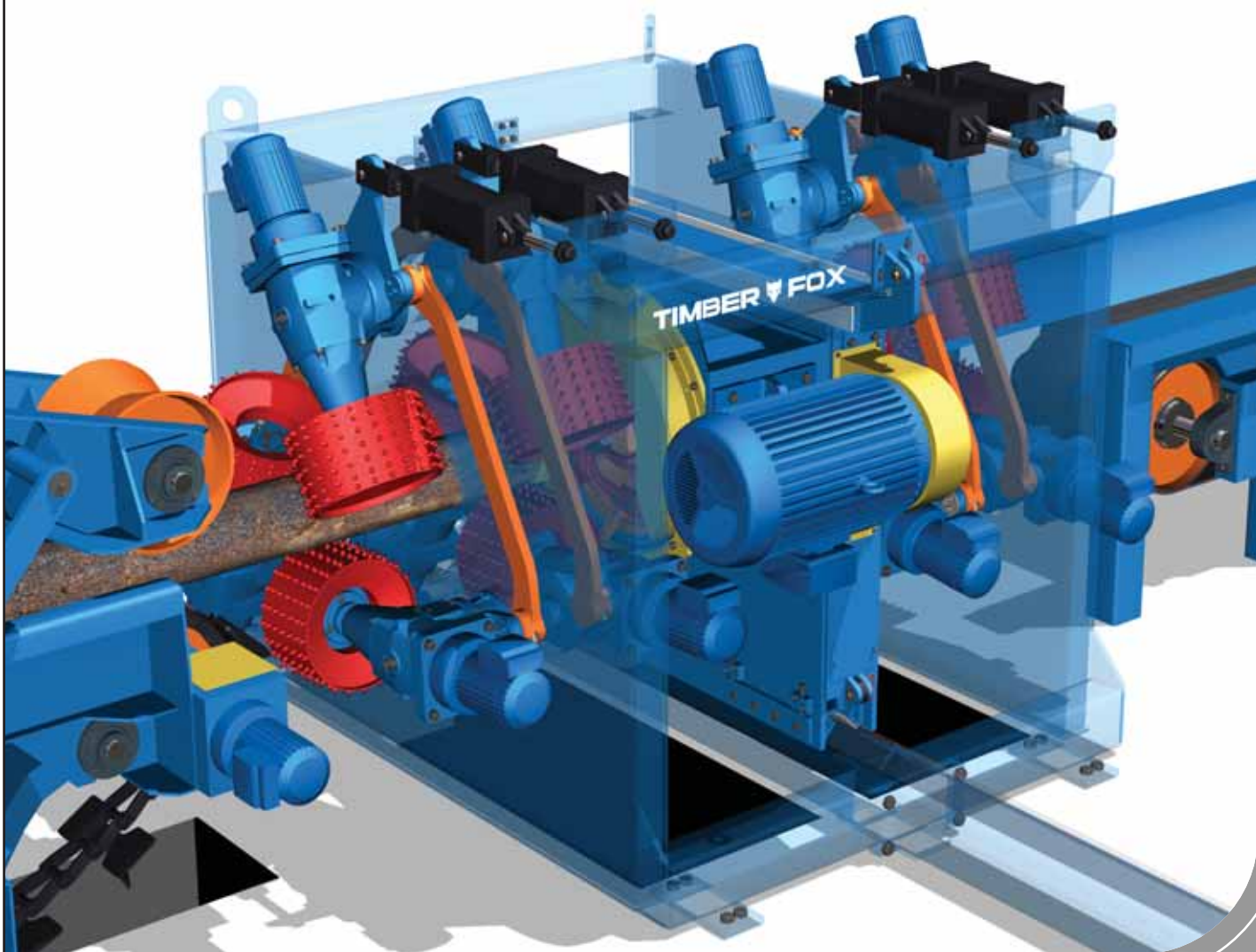


TIMBER FOXtm

High Speed Debarker

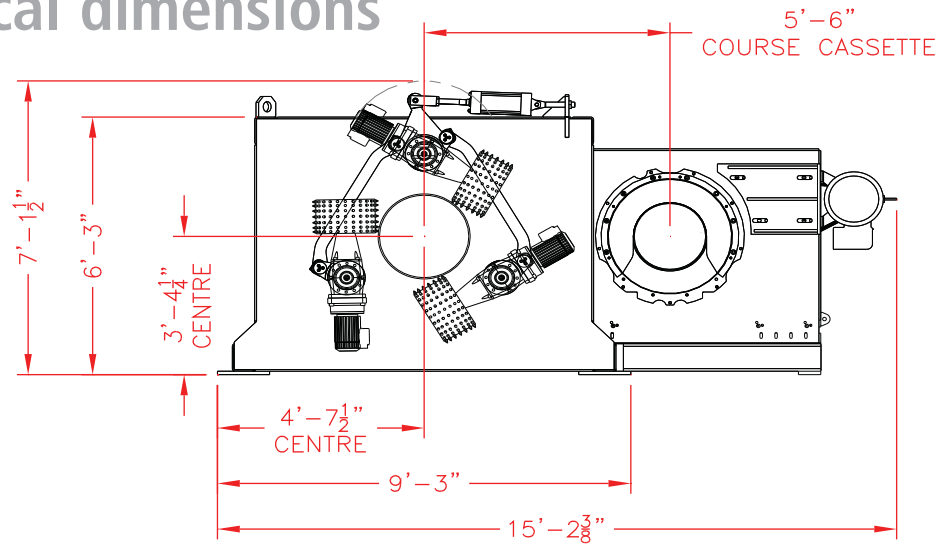
NEW!



TIMBER FOX High speed debarker

TIMBER FOX™ 18" Debarker

Technical dimensions



Technical specifications

	Standard	Optional
Minimum log diameter	1 3/4"	
Maximum log diameter	18"	
Minimum log length	6'-0"	
Maximum rated feed speed	350 feet/min.	
Weight	25,000 lbs	
Electrical drive feed system	S	
Hydraulic drive feed system		0
Rotor motor	75HP	
Air bag pneumatic tools tensioning system	S	
Hydraulic tools tensioning system		0
Spider tools tensioning system		0
Grease rotors lubrication	S	
Oil rotors lubrication		0



1060 chemin Olivier, Saint-Nicolas (Quebec) G7A 2M8, Phone (418) 831-3333 Fax (418) 831-0201
Toll Free: 1-888-686-3847 E-mail: info@dkspec.com